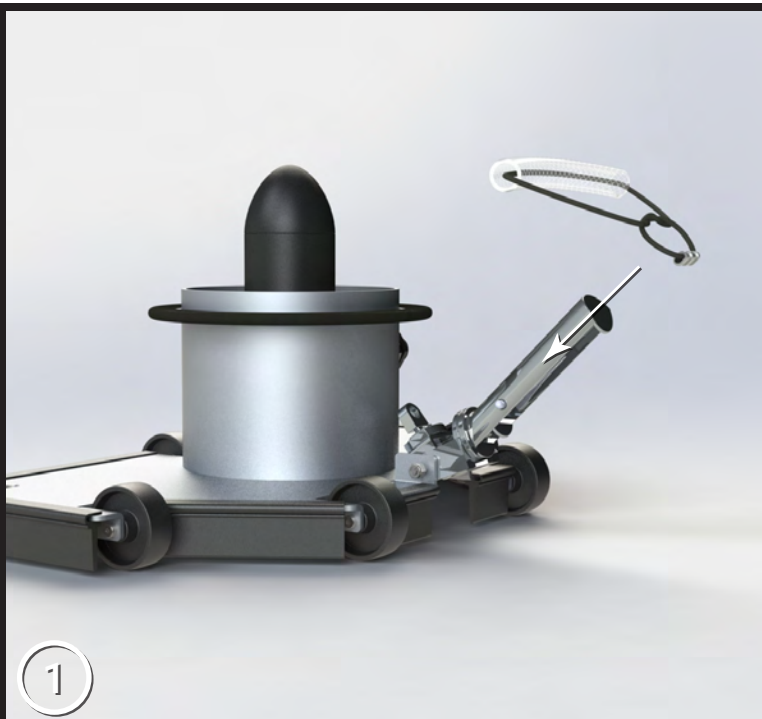


The **Bottom Feeder**

"It sucks to clean pools!"

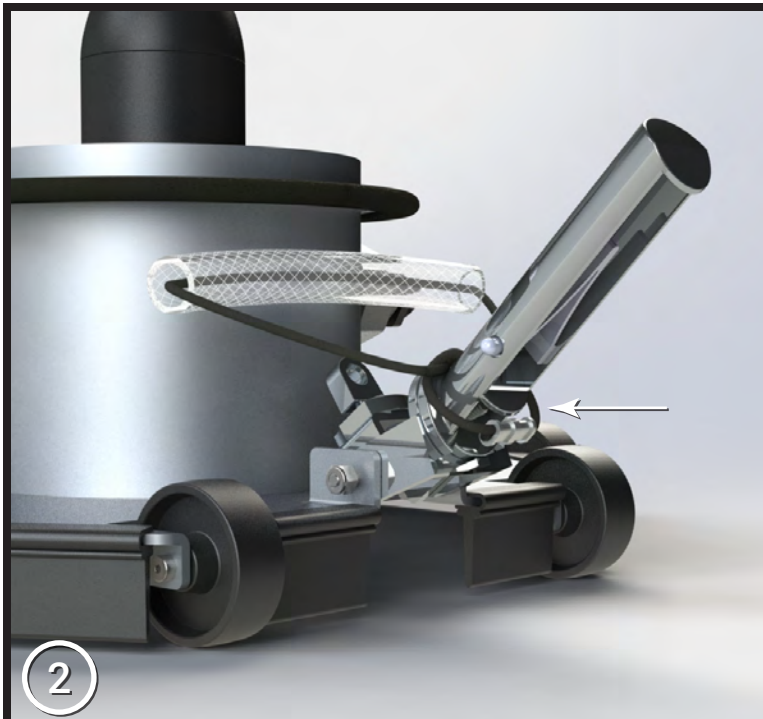


Portability Kit Assembly Instructions



1

Slide Portability Kit handle all the way down to base of the swivel handle through loop on bottom.



2

Make sure grommet on Portability Kit handle slides under lip protruding from under swivel handle, securing into place.



3

Pull sides of handle outward to tighten bottom loop secure under lip of swivel handle.



4

Slide Pole Extension down to attach to base of swivel handle.



5

Secure Pole Extension by clicking into place with swivel handle detente clip.



6

Slide Battery Pack onto Pole Extension. Make sure the battery flap passes through the handle before attaching and securing with twist lock.



7

Flip battery flap over twist lock and turn eyelet, securing battery to unit. Now the head, battery, Pole Extension, & Handle are a single unit.



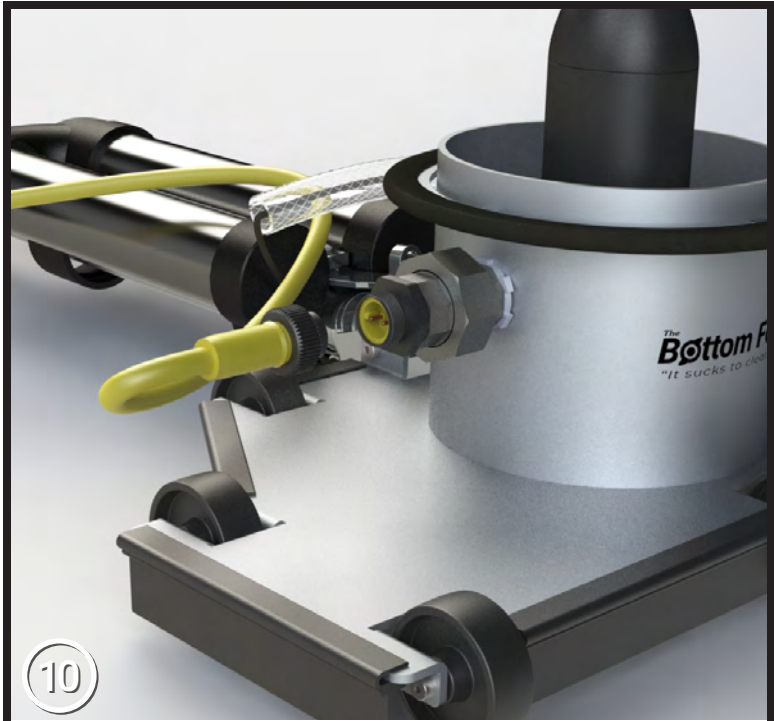
8

Attach the Power Switch Cord to the battery. (Careful not to screw on too tight as it may damage the connectors. Finger tight is good enough for a secure connection)



9

Feed other end of Power Switch Cord through the Handle.



10

Connect to the motor connector.
Be careful to keep hands, etc. away from propeller, as Power Switch may be set to "on" when connecting. Always use care!



11

Fully assembled Bottom Feeder Unit with Portability Kit. (pole shown in image attached to Pole Extension not included)



12

Fully assembled Bottom Feeder Unit shown in resting/carrying mode.